



A promise delivered efficiently

*Now Metalprogetti also offers
an automatic bagging machine
amongst its solutions.*



AUTOMATIC BAGGING MACHINE

An innovative machine to
automatically and rapidly pack single
garments or garment batches.

Ideal for the clothing industry,
dry cleaners, laundries and
ironing plants.



MAIN FEATURES

Easy operation and maintenance

- Minimum space occupied.
- Fast installation: the machine is delivered mounted and equipped with a small lifting gear. It is easily brought into vertical position and can effortlessly be moved around thanks to the wheels it is equipped with.
- Optimization and simplification of the plastic film passage through the machine.

- Effortless reel replacement and maintenance made extremely simple thanks to a special up-and-down mechanism that brings the cylinder down to eye-level.
- The input and output lines can be adjusted in height, which allows any kind of device to be integrated to the machine, whether a feeder device to feed in the garments that have to be bagged or an unloading and storage device for the bagged garments.

- As it is placed inside the cylinder, the labelling machine also benefits from the up-and-down movement that makes it possible to work at eye-level for maintenance as well as for replacing consumables such as the label rolls.

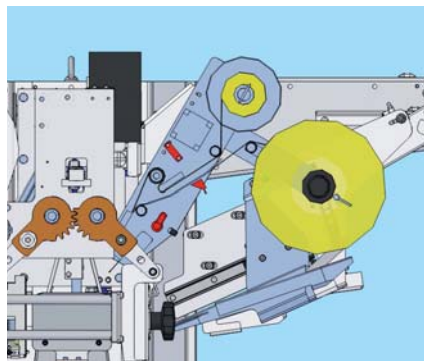
Versatility and high productivity

- Productive capacity up to 400 bagged pieces/hour for the solution with automatic labelling machine and 600 bagged pieces/hour for the solution without the labelling machine.
- The machine operates with reels with a width from 600 to 750 mm.
- The machine operates with plastic film with a thickness from 19 to 25 micron.



Automatic labelling machine as an option

- In order to facilitate the fast identification of bagged garments or garment batches, a system for automatically printing and sticking identification labels onto the film bag can be installed.



- The solution with the automatic labelling machine does not occupy any additional space: the device is placed inside the machine cylinder.

INTEGRATION WITH OTHER SYSTEMS

The automatic bagging machine can be used on its own or connected to Metalprogetti's sorting and ordering systems designed for dry cleaners, laundries, ironing plants and the clothing industry.